

**Adjustable Three-Channel Regulator**

**General Description**

The AAT2503 is a three-channel regulator consisting of a step-down converter with an input voltage range of 2.7V to 5.5V plus two low dropout (LDO) linear regulators.

The step-down converter optimizes power efficiency throughout the load range. Pulling the MODE/SYNC pin high enables "PWM Only" mode, maintaining constant frequency and low output ripple across the operating range. Alternatively, the converter may be synchronized to an external clock input to the MODE/SYNC pin. The step-down converter delivers up to 800mA of output current, while consuming 30µA of typical no load quiescent current. The switching frequency is 2MHz, minimizing the size of external components.

The two LDOs (LDOA/LDOB) have independent inputs and are capable of delivering up to 150mA each. Ultra low input voltage on the VLDOA and VLDOB pins (down to 1.62V) allows for efficient post-buck regulation. A Power-OK (POK) function provides an open drain output signal when LDOA is within regulation. Both LDOs feature low quiescent current and a low dropout voltage. The output voltages for both LDOs are adjustable to as low as 0.6V. The linear regulators have independent Enable pins.

The AAT2503 is available in a Pb-free 3 x 4mm QFN34-20 package and is rated over the -40°C to +85°C temperature range.

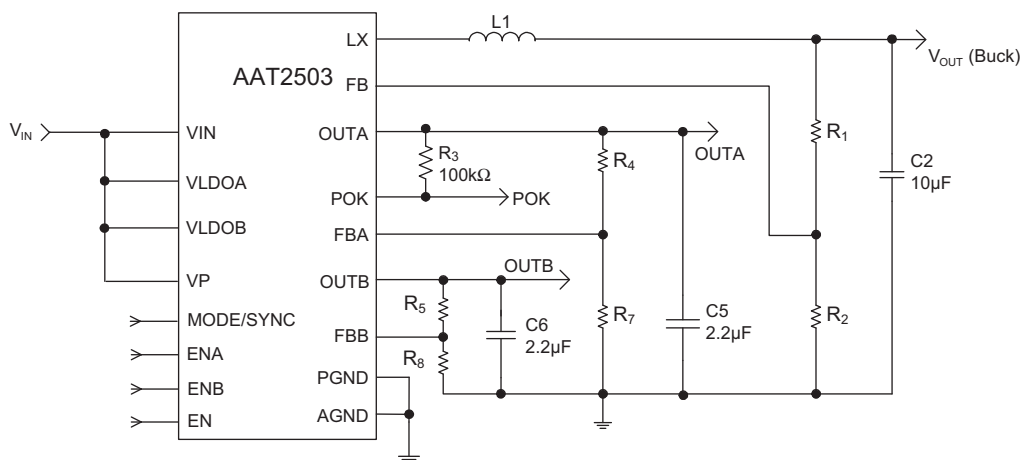
**Features**

- 800mA Step-Down Converter
  - $V_{IN}$  Range: 2.7V to 5.5V
  - $V_{OUT}$  Range: 0.9V to  $V_{IN}$
  - High Efficiency
  - 2MHz Switching Frequency
- Two 150mA Low Dropout Regulators
  - LDO Input Voltage Range: 1.62V to 5.5V
  - $V_{OUT}$  Range: 0.6V to  $V_{IN}$
  - High Output Accuracy:  $\pm 1.5\%$
- 85µA of Total  $I_Q$
- Independent Enable Pins
- Integrated Power MOSFETs
- Over-Temperature Protection
- QFN34-20 Package
- -40°C to +85°C Temperature Range

**Applications**

- Cellular Phones
- Digital Cameras
- Handheld Instruments
- Microprocessor/DSP Core/IO Power
- PDAs and Handheld Computers

**Typical Application**



**Adjustable Three-Channel Regulator**

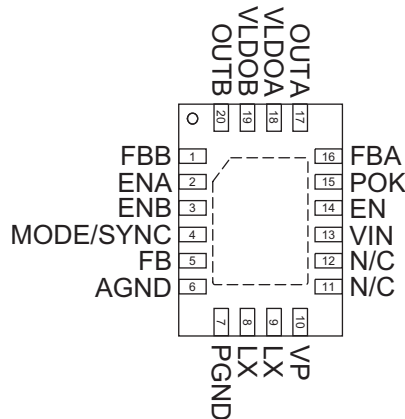
**Pin Descriptions**

| Pin #  | Symbol    | Function                                                                                                                                                                                                                                 |
|--------|-----------|------------------------------------------------------------------------------------------------------------------------------------------------------------------------------------------------------------------------------------------|
| 1      | FBB       | Feedback input pin for LDOB. This pin is connected to OUTB via an external resistor. It is used to see the output of LDOB to regulate to the desired value via an external resistor divider. For fixed versions, short FBB to OUTB.      |
| 2      | ENA       | Enable pin for LDOA. When connected low, LDOA is disabled and consumes less than 1µA of current. When connected high, normal operation.                                                                                                  |
| 3      | ENB       | Enable pin for LDOB. When connected low, LDOB is disabled and consumes less than 1µA of current. When connected high, normal operation.                                                                                                  |
| 4      | MODE/SYNC | Connect to ground for PWM/PFM mode and optimized efficiency throughout the load range. Connect high for low noise PWM operation under all operating conditions. Connect to an external clock for synchronization (PWM only).             |
| 5      | FB        | Feedback input pin for the step-down converter. This pin is connected to the converter output via an external resistor. It is used to see the output of the converter to regulate to the desired value via an external resistor divider. |
| 6      | AGND      | Ground connection pin.                                                                                                                                                                                                                   |
| 7      | PGND      | Main power ground return pin for the step-down converter. Connect to the output and input capacitor return.                                                                                                                              |
| 8, 9   | LX        | Connect inductor to this pin. Switching node internally connected to the drain of both high- and low-side MOSFETs.                                                                                                                       |
| 10     | VP        | Input supply voltage for the converter. Must be closely decoupled.                                                                                                                                                                       |
| 11, 12 | N/C       | Not connected.                                                                                                                                                                                                                           |
| 13     | VIN       | Bias supply. Supply power for the internal circuitry. Connect to input power via low pass filter with decoupling to AGND.                                                                                                                |
| 14     | EN        | Enable for the step-down converter. A logic low disables the converter and it consumes less than 1µA of current. A logic high enables normal operation.                                                                                  |
| 15     | POK       | Power-OK pin with open drain output. It is pulled low when the OUTA pin is outside the regulation window. Place a pull-up resistor between POK and OUTA.                                                                                 |
| 16     | FBA       | Feedback input pin for LDOA. This pin is connected to OUTA via an external resistor. It is used to see the output of LDOA to regulate to the desired value via an external resistor divider. For fixed versions, short FBA to OUTA.      |
| 17     | OUTA      | LDOA output pin; should be closely decoupled with a low-ESR ceramic capacitor.                                                                                                                                                           |
| 18     | VLDOA     | Input voltage pin for linear regulator A; should be closely decoupled.                                                                                                                                                                   |
| 19     | VLDOB     | Input voltage pin for linear regulator B; should be closely decoupled.                                                                                                                                                                   |
| 20     | OUTB      | LDOB output pin; should be closely decoupled with a low-ESR ceramic capacitor.                                                                                                                                                           |
| EP     |           | Exposed paddle; connect to ground directly beneath the package.                                                                                                                                                                          |

**Adjustable Three-Channel Regulator**

**Pin Configuration**

**QFN34-20**  
**(Top View)**



**Absolute Maximum Ratings<sup>1</sup>**

| Symbol                           | Description                                      | Value               | Units |
|----------------------------------|--------------------------------------------------|---------------------|-------|
| $V_{Pr}$ , $V_{INr}$ , $V_{LDO}$ | Input Voltage and Bias Power to GND              | 6.0                 | V     |
| $V_{LX}$                         | LX to GND                                        | -0.3 to $V_p + 0.3$ | V     |
| $V_{FB}$                         | FB to GND                                        | -0.3 to $V_p + 0.3$ | V     |
| $V_N$                            | EN, MODE/SYNC to GND                             | -0.3 to 6.0         | V     |
| $T_j$                            | Operating Junction Temperature Range             | -40 to 150          | °C    |
| $T_{LEAD}$                       | Maximum Soldering Temperature (at leads, 10 sec) | 300                 | °C    |

**Thermal Information**

| Symbol        | Description                                            | Value | Units |
|---------------|--------------------------------------------------------|-------|-------|
| $P_D$         | Maximum Power Dissipation ( $T_A = 25^\circ\text{C}$ ) | 2.0   | W     |
| $\theta_{JA}$ | Thermal Resistance <sup>2</sup>                        | 50    | °C/W  |

1. Stresses above those listed in Absolute Maximum Ratings may cause permanent damage to the device. Functional operation at conditions other than the operating conditions specified is not implied. Only one Absolute Maximum Rating should be applied at any one time.  
2. Mounted on an FR4 board.

# DATA SHEET

# AAT2503

## Adjustable Three-Channel Regulator

### Electrical Characteristics<sup>1</sup>

$V_{IN} = 3.6V$ ;  $T_A = -40^{\circ}C$  to  $+85^{\circ}C$ , unless otherwise noted. Typical values are  $T_A = 25^{\circ}C$ .

| Symbol                                           | Description                          | Conditions                                                                                  | Min   | Typ | Max   | Units          |
|--------------------------------------------------|--------------------------------------|---------------------------------------------------------------------------------------------|-------|-----|-------|----------------|
| <b>Bias Power Supply</b>                         |                                      |                                                                                             |       |     |       |                |
| $I_Q$                                            | Quiescent Current                    | $EN_A = EN_B = EN = V_{IN}$ ; $I_{LOAD} = 0$                                                |       | 85  | 145   | $\mu A$        |
| $I_{SHDN}$                                       | Shutdown Current                     | $EN_A = EN_B = EN = GND$                                                                    |       |     | 1.0   | $\mu A$        |
| <b>LDOA, LDOB; <math>I_{OUT} = 150mA</math></b>  |                                      |                                                                                             |       |     |       |                |
| $V_{LDO}$                                        | Input Voltage                        |                                                                                             | 1.62  |     | 5.5   | V              |
| $V_{OUT}$                                        | Output Voltage Tolerance             | $I_{OUT} = 1mA$ to $150mA$<br>$T_A = 25^{\circ}C$<br>$T_A = -40^{\circ}C$ to $+85^{\circ}C$ | -1.5  |     | 1.5   | %              |
| $V_{FB}$                                         | Feedback Voltage                     |                                                                                             | 0.593 | 0.6 | 0.607 | V              |
| $V_{DO}$                                         | Dropout Voltage <sup>2</sup>         | $I_{OUT} = 150mA$                                                                           |       |     | 150   | mV             |
| $\frac{\Delta V_{OUT}}{V_{OUT} * \Delta V_{IN}}$ | Line Regulation <sup>3</sup>         | $V_{IN} = V_{OUT} + 1$ to $5.0V$                                                            |       |     | 0.09  | %/V            |
| $V_{EN(L)}$                                      | Enable Threshold Low                 |                                                                                             |       |     | 0.6   | V              |
| $V_{EN(H)}$                                      | Enable Threshold High                |                                                                                             | 1.4   |     |       | V              |
| $I_{OUT}$                                        | Output Current                       |                                                                                             | 150   |     |       | mA             |
| $I_{SHT}$                                        | Shutdown Current                     | $V_{IN} = 5V$                                                                               |       |     | 1.0   | $\mu A$        |
| $T_{SD}$                                         | Over-Temperature Shutdown Threshold  |                                                                                             |       | 140 |       | $^{\circ}C$    |
| $T_{HYS}$                                        | Over-Temperature Shutdown Hysteresis |                                                                                             |       | 15  |       | $^{\circ}C$    |
| <b>LDOA; <math>I_{OUT} = 150mA</math></b>        |                                      |                                                                                             |       |     |       |                |
| $V_{POK}$                                        | Power-OK Trip Threshold              | $V_{OUT}$ Rising, $T_A = 25^{\circ}C$                                                       | 80    | 90  | 98    | % of $V_{OUT}$ |
| $V_{POKHYS}$                                     | Power-OK Hysteresis                  |                                                                                             |       | 1.0 |       | % of $V_{OUT}$ |
| $V_{POK(LO)}$                                    | Power-OK Output Voltage Low          | $I_{SINK} = 1mA$                                                                            |       |     | 0.4   | V              |
| $I_{POK}$                                        | Power-OK Output Leakage Current      | $V_{POK} < 5.5V$ , $V_{OUT}$ in Regulation                                                  |       |     | 1.0   | $\mu A$        |

1. The AAT2503 is guaranteed to meet performance specifications over the  $-40^{\circ}C$  to  $+85^{\circ}C$  operating temperature range and is assured by design, characterization, and correlation with statistical process controls.

2.  $V_{DO}$  is defined as  $V_{IN} - V_{OUT}$  when  $V_{OUT}$  is 98% of nominal.

3.  $C_{IN} = 10\mu F$ .

**Adjustable Three-Channel Regulator**

**Electrical Characteristics (continued)<sup>1</sup>**

$V_{IN} = 3.6V$ ;  $T_A = -40^{\circ}C$  to  $+85^{\circ}C$ , unless otherwise noted. Typical values are  $T_A = 25^{\circ}C$ .

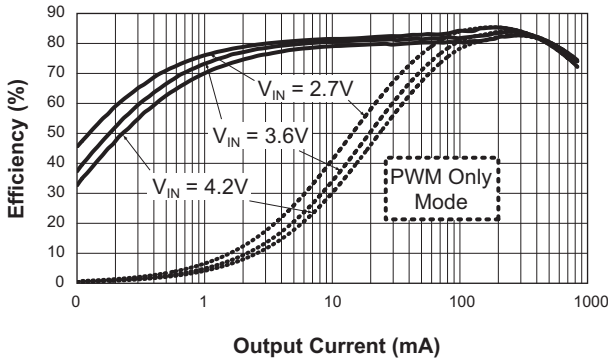
| Symbol                                                   | Description                          | Conditions                                           | Min                | Typ | Max                | Units       |
|----------------------------------------------------------|--------------------------------------|------------------------------------------------------|--------------------|-----|--------------------|-------------|
| <b>Step-Down Converter; <math>I_{OUT} = 800mA</math></b> |                                      |                                                      |                    |     |                    |             |
| $V_{IN}$                                                 | Input Voltage                        |                                                      | 2.7                |     | 5.5                | V           |
|                                                          |                                      | $V_{IN}$ Rising                                      |                    |     | 1.8                | V           |
| UVLO                                                     | Under-Voltage Lockout Voltage        | Hysteresis                                           |                    | 250 |                    | mV          |
|                                                          |                                      | $V_{IN}$ Falling                                     | 1.5                |     |                    | V           |
| $V_{OUT}$                                                | Output Voltage Tolerance             | $I_{OUT} = 0$ to $800mA$ ; $V_{IN} = 2.7V$ to $5.5V$ | -3.0               |     | 3.0                | %           |
| $V_{OUT}$                                                | $V_{OUT}$ Programmable Range         |                                                      | 0.9                |     | $V_{IN}$           | V           |
| $V_{FB}$                                                 | Feedback Threshold Voltage           |                                                      | 0.891              | 0.9 | 0.909              | V           |
| $I_{SHDN}$                                               | Shutdown Current                     | EN = GND                                             |                    |     | 1.0                | $\mu A$     |
| $I_{LX\_LEAK}$                                           | LX Leakage Current                   | $V_{IN} = 5.5$ , $V_{LX} = 0$ to $V_{IN}$            |                    |     | 1.0                | $\mu A$     |
| $I_{FB}$                                                 | Feedback Leakage                     | $V_{FB} = 1.0V$                                      |                    |     | 0.2                | $\mu A$     |
| $I_{LIM}$                                                | Current Limit                        |                                                      |                    | 1.2 |                    | A           |
| $R_{DS(ON)H}$                                            | High Side Switch On Resistance       |                                                      |                    | 400 |                    | m $\Omega$  |
| $R_{DS(ON)L}$                                            | Low Side Switch On Resistance        |                                                      |                    | 300 |                    | m $\Omega$  |
| $\Delta V_{OUT}/V_{OUT}$                                 | Load Regulation                      | $I_{LOAD} = 0$ to $800mA$                            |                    | 0.5 |                    | %           |
| $\frac{\Delta V_{OUT}}{V_{OUT} \cdot \Delta V_{IN}}$     | Line Regulation                      |                                                      |                    | 0.2 |                    | %/V         |
| $F_{OSC}$                                                | Oscillator Frequency                 |                                                      | 1.6                | 2.0 | 2.4                | MHz         |
| $T_{SD}$                                                 | Over-Temperature Shutdown Threshold  |                                                      |                    | 140 |                    | $^{\circ}C$ |
| $T_{HYS}$                                                | Over-Temperature Shutdown Hysteresis |                                                      |                    | 15  |                    | $^{\circ}C$ |
| $V_{EN(L)}$                                              | Enable Threshold Low                 |                                                      |                    |     | 0.6                | V           |
| $V_{EN(H)}$                                              | Enable Threshold High                |                                                      | 1.4                |     |                    | V           |
| $I_{EN}$                                                 | EN Input Leakage                     | $V_{EN} = 5V$ , $V_{IN} = 5V$                        | -1.0               |     | 1.0                | $\mu A$     |
| $V_{MODE/SYNC(L)}$                                       | Enable Threshold Low                 |                                                      |                    |     | $V_{IN} \cdot 0.4$ | V           |
| $V_{MODE/SYNC(H)}$                                       | Enable Threshold High                |                                                      | $V_{IN} \cdot 0.7$ |     |                    | V           |
| $I_{MODE/SYNC}$                                          | Input Low Current                    |                                                      | -1.0               |     | 1.0                | $\mu A$     |

1. The AAT2503 is guaranteed to meet performance specifications over the  $-40^{\circ}C$  to  $+85^{\circ}C$  operating temperature range and is assured by design, characterization, and correlation with statistical process controls.

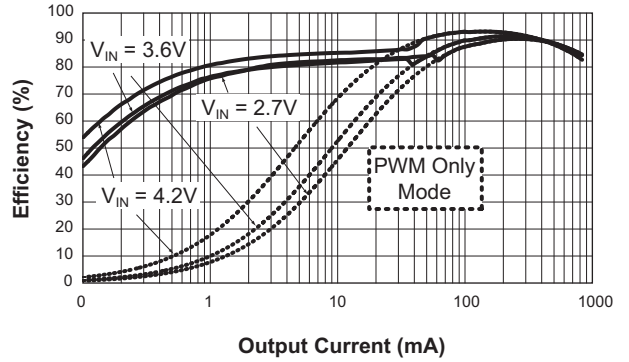
## Adjustable Three-Channel Regulator

### Typical Characteristics—Step-Down Converter

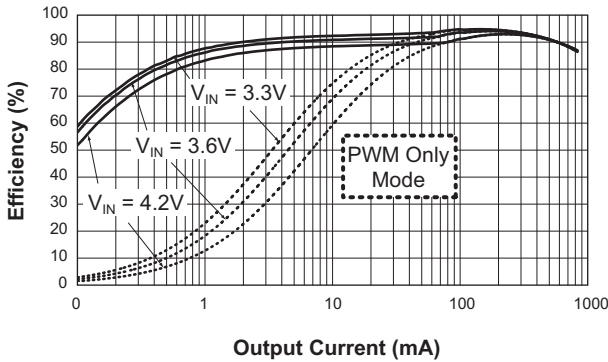
**Efficiency vs. Output Current**  
( $V_{OUT} = 0.9V$ ;  $L = 1\mu H$ )



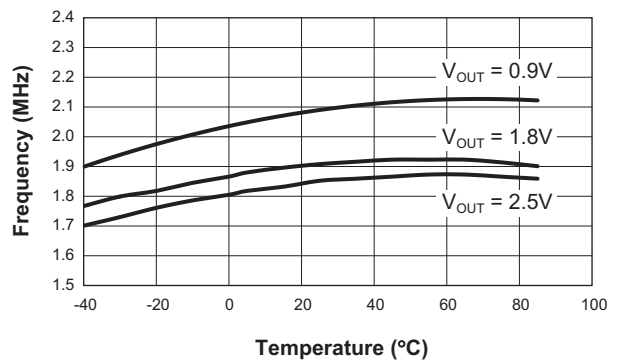
**Efficiency vs. Output Current**  
( $V_{OUT} = 1.8V$ ;  $L = 2.2\mu H$ )



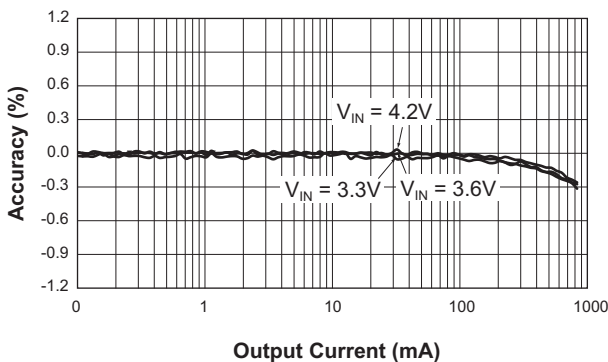
**Efficiency vs. Output Current**  
( $V_{OUT} = 2.5V$ ;  $L = 3.3\mu H$ )



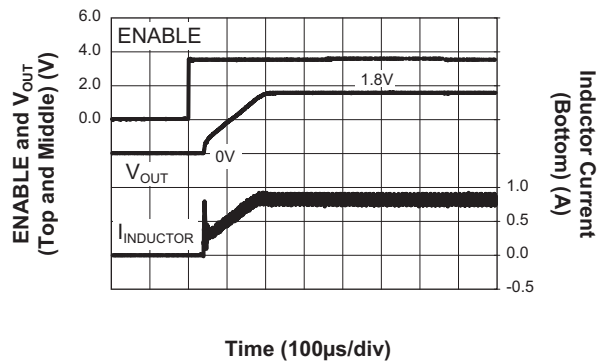
**Switching Frequency vs. Temperature**  
( $V_{IN} = 3.6V$ ;  $I_{OUT} = 800mA$ )



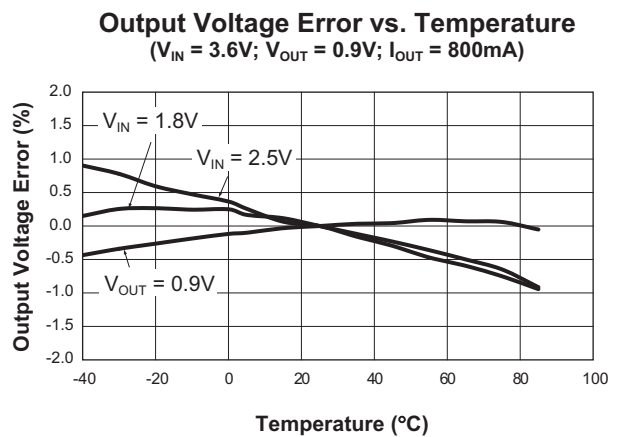
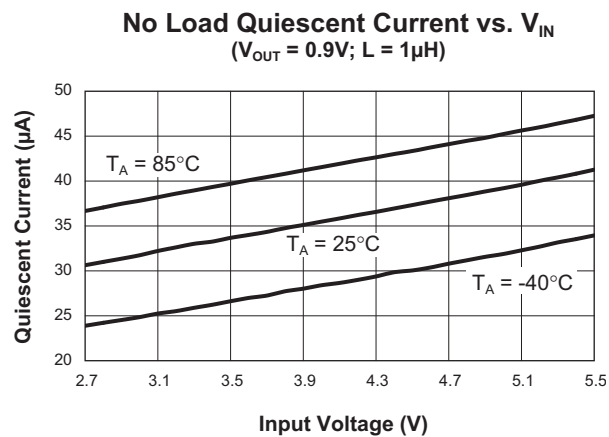
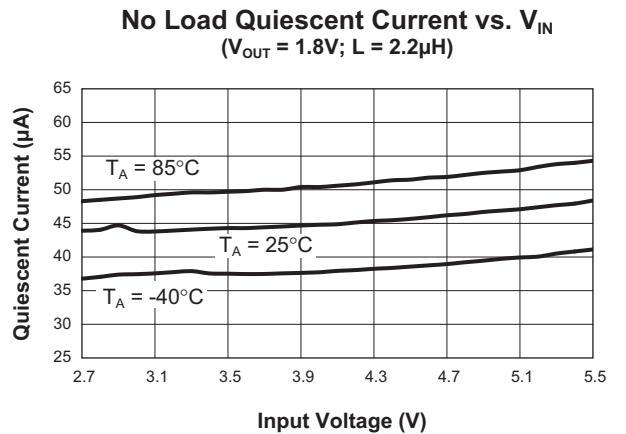
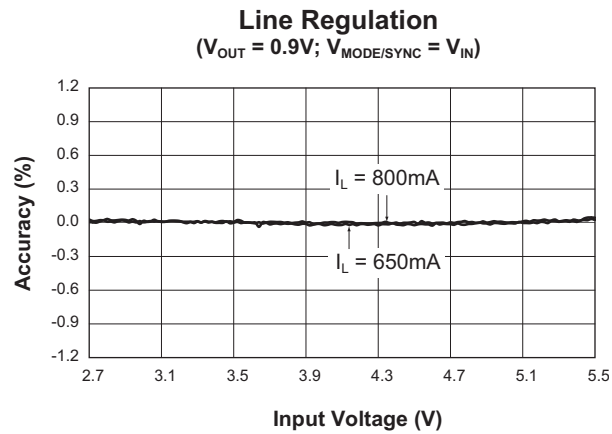
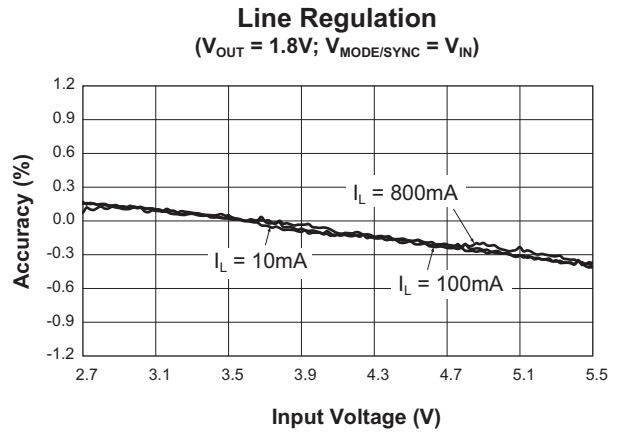
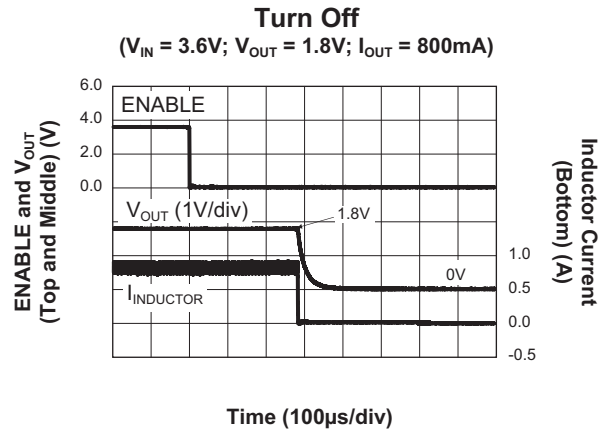
**Load Regulation**  
( $V_{OUT} = 1.8V$ ;  $V_{MODE/SYNC} = V_{IN}$ ;  $L = 2.2\mu H$ )



**Soft Start**  
( $V_{IN} = 3.6V$ ;  $V_{OUT} = 1.8V$ ;  $I_{OUT} = 800mA$ )

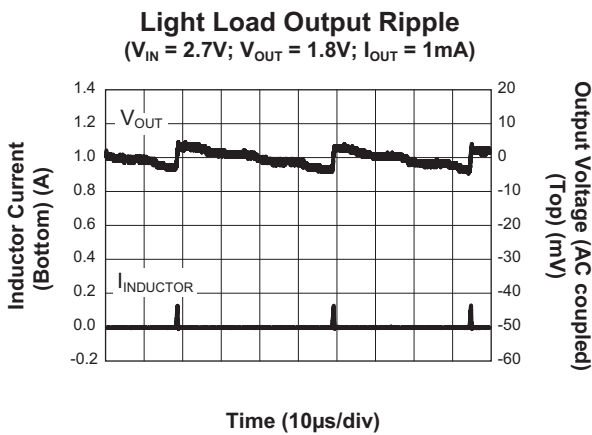
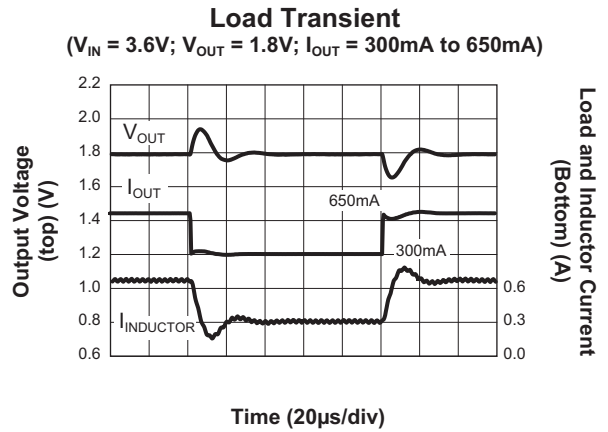
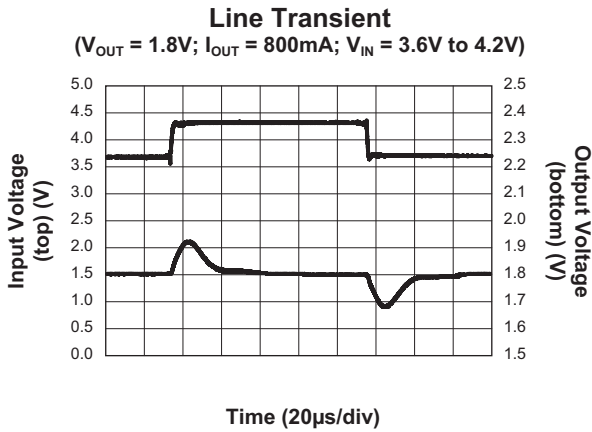


### Typical Characteristics—Step-Down Converter



## Adjustable Three-Channel Regulator

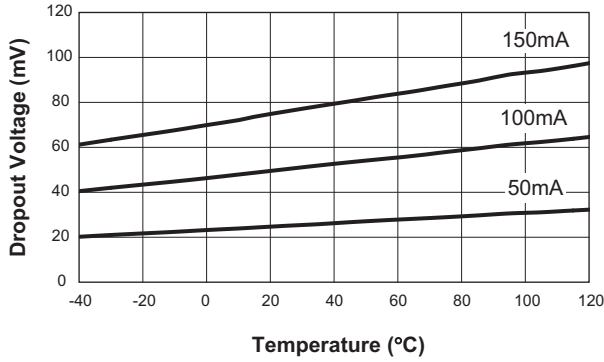
### Typical Characteristics—Step-Down Converter



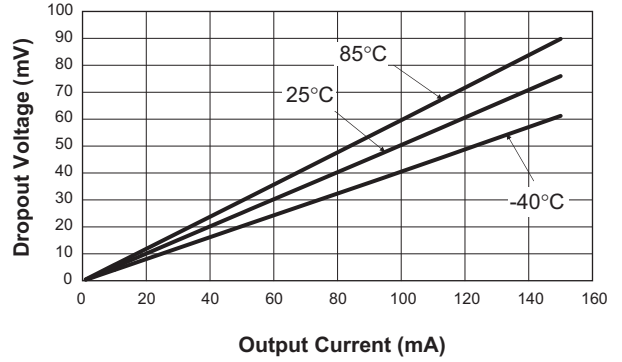


### Typical Characteristics—LDO Regulator

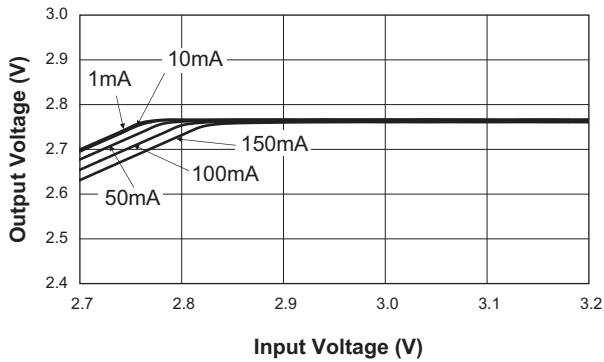
**Dropout Voltage vs. Temperature**  
( $V_{OUT} = 2.8V$ )



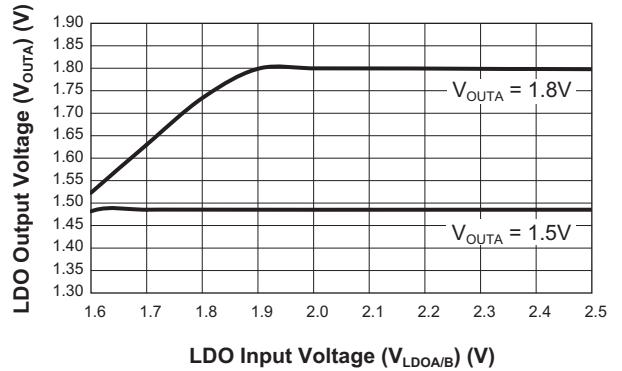
**Dropout Voltage vs. Output Current**  
( $V_{OUT} = 2.8V$ )



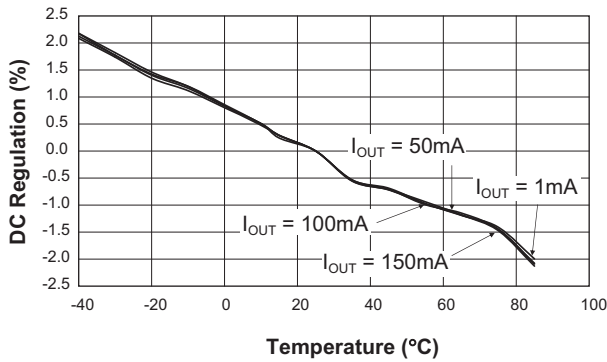
**Dropout Characteristics**



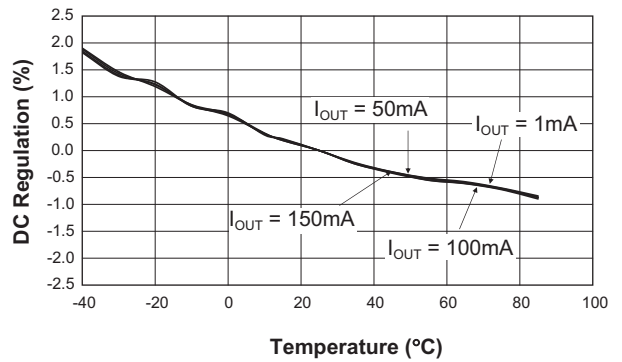
**LDO Output Voltage vs. LDO Input Voltage**  
( $I_{OUTA} = 100mA$ ,  $V_{IN} = V_P = 3.6V$ )



**DC Regulation**  
( $V_{IN} = 3.6V$ ;  $V_{OUT} = 1.2V$ )

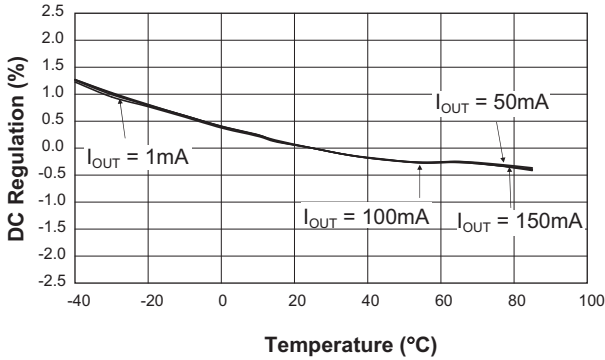


**DC Regulation**  
( $V_{IN} = 3.6V$ ;  $V_{OUT} = 1.8V$ )

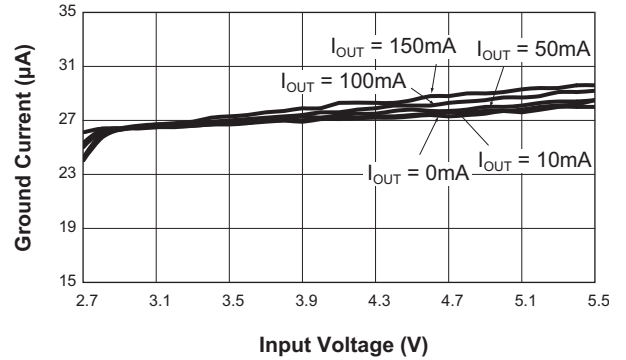


### Typical Characteristics—LDO Regulator

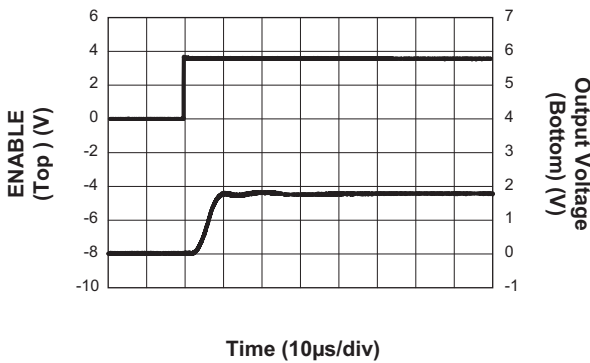
**DC Regulation**  
( $V_{IN} = 3.6V$ ;  $V_{OUT} = 2.8V$ )



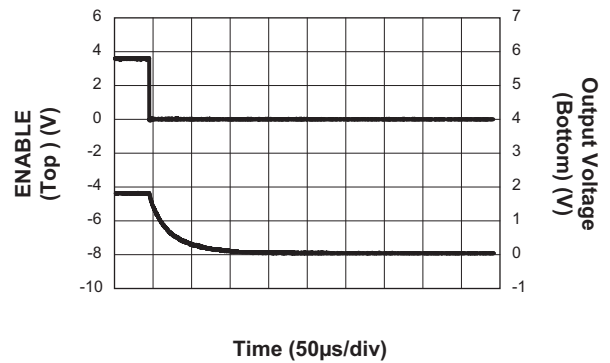
**Quiescent Current vs. Input Voltage**  
( $V_{LDO} = 2.8V$ )



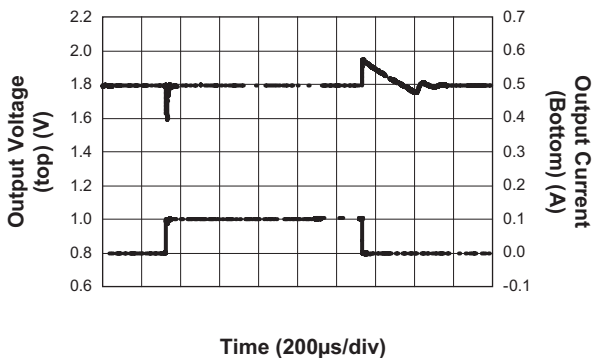
**Turn-On Response Time**  
( $V_{IN} = 3.6V$ ;  $V_{OUT} = 1.8V$ ;  $I_{OUT} = 150mA$ )



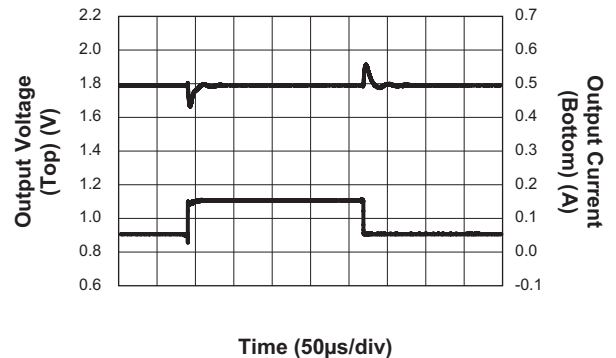
**Turn-Off Response Time**  
( $V_{IN} = 3.6V$ ;  $V_{OUT} = 1.8V$ ;  $I_{OUT} = 150mA$ )



**Load Transient**  
( $V_{IN} = 3.6V$ ;  $V_{OUT} = 1.8V$ ;  $I_{OUT} = 1mA$  to  $100mA$ )



**Load Transient**  
( $V_{IN} = 3.6V$ ;  $V_{OUT} = 1.8V$ ;  $I_{OUT} = 50mA$  to  $100mA$ )

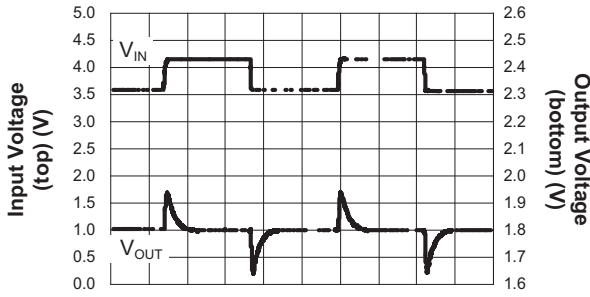


## Adjustable Three-Channel Regulator

### Typical Characteristics—LDO Regulator

**Line Transient**

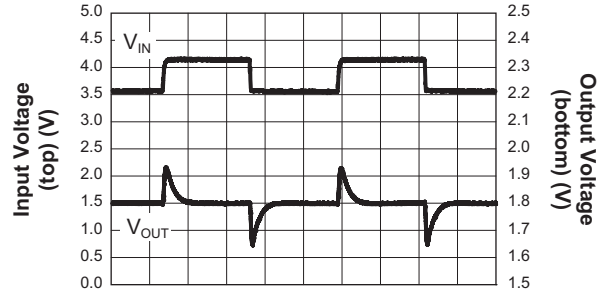
( $V_{OUT} = 1.8V$ ;  $I_{OUT} = 100mA$ ;  $V_{IN} = 3.6V$  to  $4.2V$ )



Time (100 $\mu$ s/div)

**Line Transient**

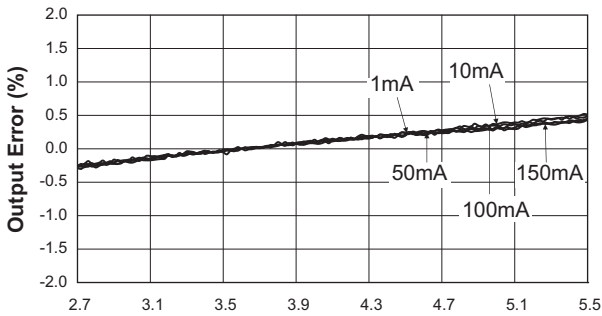
( $V_{OUT} = 1.8V$ ;  $I_{OUT} = 150mA$ ;  $V_{IN} = 3.6V$  to  $4.2V$ )



Time (100 $\mu$ s/div)

**Line Regulation**

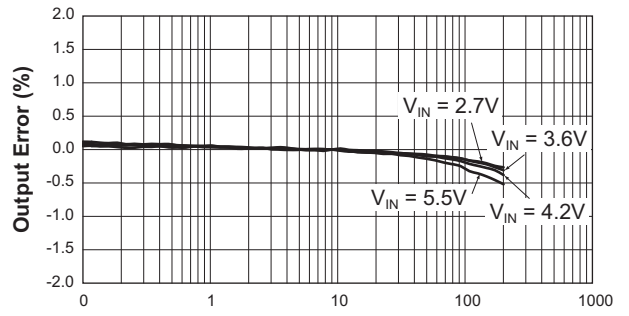
( $V_{OUT} = 1.2V$ )



Input Voltage (V)

**Load Regulation**

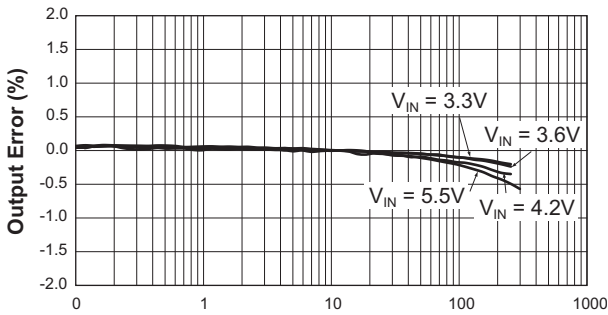
( $V_{OUT} = 1.2V$ )



Output Current (mA)

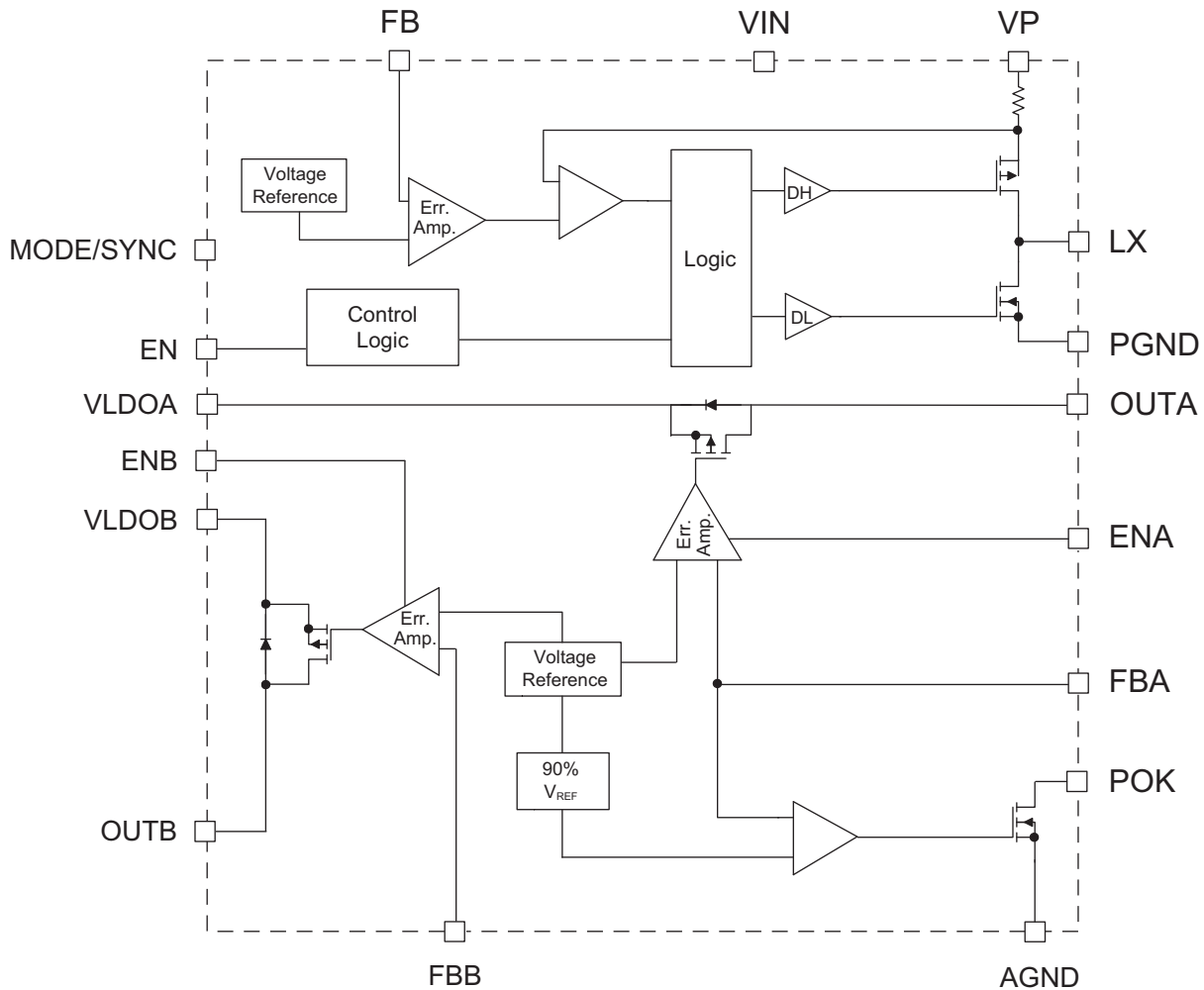
**Load Regulation**

( $V_{OUT} = 2.8V$ )



Output Current (mA)

**Functional Block Diagram**



**Functional Description**

The AAT2503 is a high performance power management IC comprised of a step-down converter and two linear regulators. The step-down converter operates in both fixed and variable frequency modes for high efficiency performance. The switching frequency is 2MHz, minimizing the size of the inductor. The converter requires only three external components ( $C_{IN}$ ,  $C_{OUT}$ , and L). The LDOs can deliver up to 150mA each. Each regulator has independent input voltage and enable pins and operates with ceramic capacitors.

**Switch-Mode Step-Down Converter**

The switching regulator is a monolithic step-down converter operating with input voltage range of 2.7V to 5.5V. Power devices are sized for 800mA current capability and achieve over 95% efficiency. PFM operation maintains high efficiency under light load conditions (typically <50mA). The MODE/SYNC pin allows an optional "PWM Only" mode. This maintains constant frequency and low output ripple across all load conditions. Alternatively, the IC can be synchronized to an external clock via the MODE/SYNC input. External synchronization is main-

## *Adjustable Three-Channel Regulator*

tained between 1MHz and 3MHz. It consumes 30 $\mu$ A of typical no load quiescent current, making it also ideal for light load applications. The oscillator operates at 2MHz, minimizing the cost and size of external components.

A logic low on the EN pin shuts the converter down and makes it consume less than 1 $\mu$ A of current.

Soft start increases the inductor current limit point in discrete steps when the input voltage or enable input is applied. It limits the current surge seen at the input and eliminates output voltage overshoot.

For overload conditions, the peak input current is limited. As load impedance decreases and the output voltage falls closer to zero, more power gets internally dissipated, raising the device temperature. Thermal protection completely disables switching when internal dissipation becomes excessive, protecting the device from damage. The junction over-temperature threshold is 140°C with 15°C of hysteresis.

### **Control Loop**

The AAT2503 includes a peak current mode step-down converter. The current through the P-channel MOSFET (high side) is sensed for current loop control, as well as short-circuit and overload protection. A fixed slope compensation signal is added to the sensed current to maintain stability for duty cycles greater than 50%. The peak current mode loop appears as a voltage-programmed current source in parallel with the output capacitor.

The output of the voltage error amplifier programs the current mode loop for the necessary peak switch current to force a constant output voltage for all load and line conditions. Internal loop compensation terminates the transconductance voltage error amplifier output. For fixed voltage versions, the error amplifier reference voltage is internally set to program the converter output voltage. For the adjustable output, the error amplifier reference is fixed at 0.9V.

### **Soft Start / Enable**

Soft start limits the current surge seen at the input and eliminates output voltage overshoot in the step-down converter.

The step-down converter and the two LDOs have independent enable pins. When pulled low, the enable input forces the LDO into shutdown mode and forces the step-down converter into a low-power, non-switching state. The input current during shutdown is less than 1 $\mu$ A.

### **Linear Regulators**

The two linear regulators are high performance LDOs where each LDO can source up to 150mA of current. For added flexibility, both regulators have independent input voltages operating from 2.8V to 5.5V. An external feedback pin for each LDO allows programming the output voltage from  $V_{IN}$  to 0.6V. The regulators have thermal protection in case of adverse operating conditions.

LDOA features an integrated Power-OK comparator which indicates when the output is out of regulation. The POK is an open drain output and it is held low when the AAT2503 is in shutdown mode.

### **Under-Voltage Lockout**

Internal bias of all circuits is controlled via the VIN pin. Under-voltage lockout guarantees sufficient  $V_{IN}$  bias and proper operation of all internal circuits prior to activation.

### **Over-Temperature Protection**

Thermal protection completely disables switching when internal dissipation becomes excessive. The junction over-temperature threshold is 140°C with 15°C of hysteresis. Once an over-temperature or over-current fault conditions is removed, the output voltage automatically recovers.

## Adjustable Three-Channel Regulator

### Applications Information

#### Step-Down Converter Inductor Selection

The step-down converter uses peak current mode control with slope compensation to maintain stability for duty cycles greater than 50%. The output inductor value must be selected so the inductor current down slope meets the internal slope compensation requirements. The internal slope compensation for the AAT2503 step-down converter is 0.51A/μsec. This equates to a slope compensation that is 75% of the inductor current down slope for a 1.5V output and 2.2μH inductor.

$$m = \frac{0.75 \cdot V_o}{L} = \frac{0.75 \cdot 1.5V}{2.2\mu H} = 0.51 \frac{A}{\mu s}$$

Manufacturer's specifications list both the inductor DC current rating, which is a thermal limitation, and the peak current rating, which is determined by the saturation characteristics. The inductor should not show any appreciable saturation under normal load conditions. Some inductors may meet the peak and average current ratings yet result in excessive losses due to a high DCR. Always consider the losses associated with the DCR and its effect on the total converter efficiency when selecting an inductor.

The 2.2μH CDRH2D14 series Sumida inductor has a 94mΩ DCR and a 1.5A DC current rating. At full 800mA load, the inductor DC loss is 17mW which gives a 2.8% loss in efficiency for a 800mA, 1.8V output.

| Configuration                                | Output Voltage | Inductor |
|----------------------------------------------|----------------|----------|
| 0.9V Adjustable<br>With External<br>Feedback | 1V, 1.2V       | 1.5μH    |
|                                              | 1.5V, 1.8V     | 2.2μH    |
|                                              | 2.5V, 3.3V     | 3.3μH    |

**Table 1: Inductor Values.**

#### Input Capacitor

Select a 4.7μF to 10μF X7R or X5R ceramic capacitor for the input of the step-down converter. To estimate the required input capacitor size, determine the acceptable input ripple level ( $V_{pp}$ ) and solve for  $C_{IN}$ . The calculated value varies with input voltage and is a maximum when  $V_{IN}$  is double the output voltage.

$$C_{IN} = \frac{\frac{V_o}{V_{IN}} \cdot \left(1 - \frac{V_o}{V_{IN}}\right)}{\left(\frac{V_{PP}}{I_o} - ESR\right) \cdot F_s}$$

$$\frac{V_o}{V_{IN}} \cdot \left(1 - \frac{V_o}{V_{IN}}\right) = \frac{1}{4} \text{ for } V_{IN} = 2 \cdot V_o$$

$$C_{IN(MIN)} = \frac{1}{\left(\frac{V_{PP}}{I_o} - ESR\right) \cdot 4 \cdot F_s}$$

Always examine the ceramic capacitor DC voltage coefficient characteristics when selecting the proper value. For example, the capacitance of a 10μF, 6.3V, X5R ceramic capacitor with 5.0V DC applied is actually about 6μF.

The maximum input capacitor RMS current is:

$$I_{RMS} = I_o \cdot \sqrt{\frac{V_o}{V_{IN}} \cdot \left(1 - \frac{V_o}{V_{IN}}\right)}$$

The input capacitor RMS ripple current varies with the input and output voltage and will always be less than or equal to half of the total DC load current.

$$\sqrt{\frac{V_o}{V_{IN}} \cdot \left(1 - \frac{V_o}{V_{IN}}\right)} = \sqrt{D \cdot (1 - D)} = \sqrt{0.5^2} = \frac{1}{2}$$

for  $V_{IN} = 2 \cdot V_o$ :

$$I_{RMS(MAX)} = \frac{I_o}{2}$$

The term  $\frac{V_o}{V_{IN}} \cdot \left(1 - \frac{V_o}{V_{IN}}\right)$  appears in both the input voltage ripple and input capacitor RMS current equations and is a maximum when  $V_o$  is twice  $V_{IN}$ . This is why the input voltage ripple and the input capacitor RMS current ripple are a maximum at 50% duty cycle.

The input capacitor provides a low impedance loop for the edges of pulsed current drawn by the AAT2503. Low ESR/ESL X7R and X5R ceramic capacitors are ideal for this function. To minimize stray inductance, the capacitor should be placed as closely as possible to the IC. This keeps the high frequency content of the input current localized, minimizing EMI and input voltage ripple.

## **Adjustable Three-Channel Regulator**

A laboratory test set-up typically consists of two long wires running from the bench power supply to the evaluation board input voltage pins. The inductance of these wires, along with the low-ESR ceramic input capacitor, can create a high Q network that may affect converter performance. This problem often becomes apparent in the form of excessive ringing in the output voltage during load transients. Errors in the loop phase and gain measurements can also result.

Since the inductance of a short PCB trace feeding the input voltage is significantly lower than the power leads from the bench power supply, most applications do not exhibit this problem.

In applications where the input power source lead inductance cannot be reduced to a level that does not affect the converter performance, a high ESR tantalum or aluminum electrolytic should be placed in parallel with the low ESR, ESL bypass ceramic. This dampens the high Q network and stabilizes the system.

### **Output Capacitor**

The output capacitor limits the output ripple and provides holdup during large load transitions. A 4.7µF to 10µF X5R or X7R ceramic capacitor typically provides sufficient bulk capacitance to stabilize the output during large load transitions and has the ESR and ESL characteristics necessary for low output ripple.

The output voltage droop due to a load transient is dominated by the capacitance of the ceramic output capacitor. During a step increase in load current, the ceramic output capacitor alone supplies the load current until the loop responds. Within two or three switching cycles, the loop responds and the inductor current increases to match the load current demand. The relationship of the output voltage droop during the three switching cycles to the output capacitance can be estimated by:

$$C_{OUT} = \frac{3 \cdot \Delta I_{LOAD}}{V_{DROOP} \cdot F_S}$$

Once the average inductor current increases to the DC load level, the output voltage recovers. The above equa-

tion establishes a limit on the minimum value for the output capacitor with respect to load transients.

The internal voltage loop compensation also limits the minimum output capacitor value to 4.7µF. This is due to its effect on the loop crossover frequency (bandwidth), phase margin, and gain margin. Increased output capacitance will reduce the crossover frequency with greater phase margin.

### **Adjustable Output Resistor Selection**

The output voltage on the step-down converter is programmed with external resistors R2 and R6. To limit the bias current required for the external feedback resistor string while maintaining good noise immunity, the minimum suggested value for R6 is 59kΩ. Although a larger value will further reduce quiescent current, it will also increase the impedance of the feedback node, making it more sensitive to external noise and interference. Table 2 summarizes the resistor values for various output voltages with R6 set to either 59kΩ for good noise immunity or 221kΩ for reduced no load input current.

With enhanced transient response for extreme pulsed load application, an external feed-forward capacitor (C1 in Fig.3) can be added.

| <b>V<sub>OUT</sub> (V)</b> | <b>R6 = 59kΩ<br/>R2 (kΩ)</b> | <b>R6 = 221kΩ<br/>R2 (kΩ)</b> |
|----------------------------|------------------------------|-------------------------------|
| 0.9*                       | 0                            | 0                             |
| 1.0                        | 6.65                         | 24.3                          |
| 1.1                        | 13.3                         | 48.7                          |
| 1.2                        | 19.6                         | 73.2                          |
| 1.3                        | 26.1                         | 97.6                          |
| 1.4                        | 32.4                         | 124                           |
| 1.5                        | 39.2                         | 147                           |
| 1.8                        | 59.0                         | 221                           |
| 1.85                       | 61.9                         | 232                           |
| 2.0                        | 71.5                         | 274                           |
| 2.5                        | 105                          | 392                           |
| 2.8                        | 124                          | 464                           |
| 3.0                        | 137                          | 511                           |
| 3.3                        | 158                          | 590                           |

**Table 2: Step-Down Converter Resistor Values for Various Output Voltages.**

\* For the 0.9V output, R6 is open.

## **Adjustable Three-Channel Regulator**

### **Thermal Calculations**

There are three types of losses associated with the AAT2503 step-down converter: switching losses, conduction losses, and quiescent current losses. Conduction losses are associated with the  $R_{DS(ON)}$  characteristics of the power output switching devices. Switching losses are dominated by the gate charge of the power output switching devices. At full load, assuming continuous conduction mode (CCM), a simplified form of the LDO losses is given by:

$$P_{TOTAL} = \frac{I_O^2 \cdot (R_{DS(ON)(HS)} \cdot V_O + R_{DS(ON)(LS)} \cdot [V_{IN} - V_O])}{V_{IN}} + (t_{sw} \cdot F \cdot I_O + I_Q) \cdot V_{IN}$$

$I_Q$  is the step-down converter quiescent current. The term  $t_{sw}$  is used to estimate the full load step-down converter switching losses.

For the condition where the step-down converter is in dropout at 100% duty cycle, the total device dissipation reduces to:

$$P_{TOTAL} = I_O^2 \cdot R_{DS(ON)(HS)} + I_Q \cdot V_{IN}$$

Since  $R_{DS(ON)}$ , quiescent current, and switching losses all vary with input voltage, the total losses should be investigated over the complete input voltage range.

Given the total losses, the maximum junction temperature can be derived from the  $\theta_{JA}$  for the QFN34-20 package which is 50°C/W.

$$T_{J(MAX)} = P_{TOTAL} \cdot \theta_{JA} + T_{AMB}$$

### **LDO Linear Regulator Input Capacitor**

A 1 $\mu$ F or larger capacitor is typically recommended for  $C_{IN}$  in most applications. A  $C_{IN}$  capacitor is not required for basic LDO regulator operation; however, if the AAT2503 is physically located more than three centimeters from an input power source, a  $C_{IN}$  capacitor will be needed for stable operation.  $C_{IN}$  should be located as closely to the device VIN pin as practically possible.  $C_{IN}$  values greater than 1 $\mu$ F will offer superior input line transient response and will assist in maximizing the highest possible power supply ripple rejection.

Ceramic, tantalum, or aluminum electrolytic capacitors may be selected for  $C_{IN}$ . There is no specific capacitor

ESR requirement for  $C_{IN}$ ; however, for 150mA LDO regulator output operation, ceramic capacitors are recommended for  $C_{IN}$  due to their inherent capability over tantalum capacitors to withstand input current surges from low impedance sources such as batteries in portable devices.

### **Output Capacitor**

For proper load voltage regulation and operational stability, a capacitor is required between pins OUTA, OUTB, and GND. The  $C_{OUT}$  capacitor connection to the LDO regulator ground pin should be made as direct as practically possible for maximum device performance. The AAT2503 has been specifically designed to function with very low ESR ceramic capacitors. For best performance, ceramic capacitors are recommended.

Typical output capacitor values for maximum output current conditions range from 1 $\mu$ F to 10 $\mu$ F.

Applications utilizing the exceptionally low output noise and optimum power supply ripple rejection characteristics of the AAT2503 should use 2.2 $\mu$ F or greater for  $C_{OUT}$ . If desired,  $C_{OUT}$  may be increased without limit. In low output current applications where output load is less than 10mA, the minimum value for  $C_{OUT}$  can be as low as 0.47 $\mu$ F.

### **Capacitor Characteristics**

Ceramic composition capacitors are highly recommended over all other types of capacitors for use with the AAT2503. Ceramic capacitors offer many advantages over their tantalum and aluminum electrolytic counterparts. A ceramic capacitor typically has very low ESR, is lower cost, has a smaller PCB footprint, and is non-polarized. Line and load transient response of the LDO regulator is improved by using low ESR ceramic capacitors. Since ceramic capacitors are non-polarized, they are not prone to incorrect connection damage.

### **Equivalent Series Resistance**

ESR is a very important characteristic to consider when selecting a capacitor. ESR is the internal series resistance associated with a capacitor that includes lead resistance, internal connections, size and area, material composition, and ambient temperature. Typically, capacitor ESR is measured in milliohms for ceramic capacitors and can range to more than several ohms for tantalum or aluminum electrolytic capacitors.



## **Adjustable Three-Channel Regulator**

### **Ceramic Capacitor Materials**

Ceramic capacitors less than 0.1 $\mu$ F are typically made from NPO or COG materials. NPO and COG materials generally have tight tolerance and are very stable over temperature. Larger capacitor values are usually composed of X7R, X5R, Z5U, or Y5V dielectric materials. These two material types are not recommended for use with LDO regulators since the capacitor tolerance can vary more than  $\pm 50\%$  over the operating temperature range of the device. A 2.2 $\mu$ F Y5V capacitor could be reduced to 1 $\mu$ F over temperature; this could cause problems for circuit operation. X7R and X5R dielectrics are much more desirable. The temperature tolerance of X7R dielectric is better than  $\pm 15\%$ . Capacitor area is another contributor to ESR. Capacitors which are physically large in size will have a lower ESR when compared to a smaller sized capacitor of an equivalent material and capacitance value. These larger devices can improve circuit transient response when compared to an equal value capacitor in a smaller package size. Consult capacitor vendor datasheets carefully when selecting capacitors for LDO regulators.

### **Adjustable Output Resistor Selection**

The output voltage on the linear regulator is programmed with external resistors: R4 and R7 for LDOA and R5 and R8 for LDOB. Table 3 summarizes the resistor values for various output voltages with R4 and R5 set to either 59k $\Omega$  for good noise immunity or 221k $\Omega$  for reduced no load input current.

| LDO V <sub>OUT</sub> (V) | R7, R8 = 59k $\Omega$<br>R4, R5 (k $\Omega$ ) | R7, R8 = 221k $\Omega$<br>R4, R5 (k $\Omega$ ) |
|--------------------------|-----------------------------------------------|------------------------------------------------|
| 0.6*                     | 0                                             | 0                                              |
| 0.8                      | 19.6                                          | 75                                             |
| 0.9                      | 29.4                                          | 113                                            |
| 1.0                      | 39.2                                          | 150                                            |
| 1.1                      | 49.9                                          | 187                                            |
| 1.2                      | 59.0                                          | 221                                            |
| 1.3                      | 68.1                                          | 261                                            |
| 1.4                      | 78.7                                          | 301                                            |
| 1.5                      | 88.7                                          | 332                                            |
| 1.8                      | 118                                           | 442                                            |
| 1.85                     | 124                                           | 464                                            |
| 2.0                      | 137                                           | 523                                            |
| 2.5                      | 187                                           | 715                                            |
| 3.3                      | 267                                           | 1000                                           |

**Table 3: LDO Linear Regulators Resistor Values for Various Output Voltages.**

\* For the 0.6V output, R7 and R8 are open.

### **POK Output**

LDOA of the AAT2503 features an integrated Power OK comparator which can be used as an error flag. The POK open drain output goes low when output voltage is 10% (typ) below its nominal regulation voltage. Additionally, any time LDOA is in shutdown, the POK output is pulled low. Connect a pull-up resistor from POK to OUTA.

### **Enable Function**

The AAT2503 features an LDO regulator enable/disable function. Each LDO has its own dedicated enable pin. These pins (ENA, ENB) are active high and are compatible with CMOS logic. To assure the LDO regulators will switch on, ENA/B must be greater than 1.4V. The LDO regulators will shut down when the voltage on the ENA/B pins falls below 0.6V. In shutdown, the LDO regulators will consume less than 1.0 $\mu$ A of current. If the enable function is not needed in a specific application, it may be tied to V<sub>IN</sub> to keep the LDO regulator in a continuously on state.

### **Thermal Protection**

Each of the two LDOs of the AAT2503 has an internal thermal protection circuit which will turn on when the device die temperature exceeds 140°C. The LDO regulator outputs will remain in a shutdown state until the internal die temperature falls back below the  $\sim 125^\circ\text{C}$  trip point.

### **No-Load Stability**

The LDOs in the AAT2503 are designed to maintain output voltage regulation and stability under operational no-load conditions. This is an important characteristic for applications where the output current may drop to zero.

### **Reverse Output-to-Input Voltage Conditions and Protection**

Under normal operating conditions, a parasitic diode exists between the output and input of the LDO regulator. The input voltage should always remain greater than the output load voltage maintaining a reverse bias on the internal parasitic diode. Conditions where V<sub>OUT</sub> might exceed V<sub>IN</sub> should be avoided since this would forward bias the internal parasitic diode and allow excessive current flow into the V<sub>OUT</sub> pin, possibly damaging the LDO regulator. In applications where there is a possibility of

## **Adjustable Three-Channel Regulator**

$V_{OUT}$  exceeding  $V_{IN}$  for brief amounts of time during normal operation, the use of a larger value  $C_{IN}$  capacitor is highly recommended. A larger value of  $C_{IN}$  with respect to  $C_{OUT}$  will effect a slower  $C_{IN}$  decay rate during shutdown, thus preventing  $V_{OUT}$  from exceeding  $V_{IN}$ . In applications where there is a greater danger of  $V_{OUT}$  exceeding  $V_{IN}$  for extended periods of time, it is recommended to place a Schottky diode across  $V_{IN}$  to  $V_{OUT}$  (connecting the cathode to  $V_{IN}$  and anode to  $V_{OUT}$ ). The Schottky diode forward voltage should be less than 0.45V.

### **Thermal Considerations and High Output Current Applications**

The LDOs of the AAT2503 are designed to deliver continuous output load currents of 150mA each under normal operation. This is desirable for circuit applications where there might be a brief high in-rush current during a power-on event.

The limiting characteristic for the maximum output load current safe operating area is essentially package power dissipation and the internal preset thermal limit of the device. In order to obtain high operating currents, careful device layout and circuit operating conditions need to be taken into account.

The following discussions will assume the LDO regulator is mounted on a printed circuit board utilizing the minimum recommended footprint as stated in the layout considerations section of this document. At any given ambient temperature ( $T_A$ ), the maximum package power dissipation can be determined by the following equation:

$$P_{D(MAX)} = \frac{T_{J(MAX)} - T_A}{\theta_{JA}}$$

Constants for the AAT2503 are  $T_{J(MAX)}$  (the maximum junction temperature for the device, which is 125°C) and  $\theta_{JA} = 50^\circ\text{C/W}$  (the package thermal resistance). Typically, maximum conditions are calculated at the maximum operating temperature of  $T_A = 85^\circ\text{C}$  and under normal ambient conditions where  $T_A = 25^\circ\text{C}$ . Given  $T_A = 85^\circ\text{C}$ , the maximum package power dissipation is 800mW. At  $T_A = 25^\circ\text{C}$ , the maximum package power dissipation is 2W.

The maximum continuous output current for the AAT2503 is a function of the package power dissipation and the input-to-output voltage drop across the LDO regulator. To determine the maximum output current for a given output voltage, refer to the following equation. This calculation accounts for the total power dissipation of the LDO regulator, including that caused by ground current.

$$P_{D(MAX)} = [(V_{IN} - V_{OUTA})I_{OUTA} + (V_{IN} \cdot I_{GND})] + [(V_{IN} - V_{OUTB})I_{OUTB} + (V_{IN} \cdot I_{GND})]$$

### **Layout**

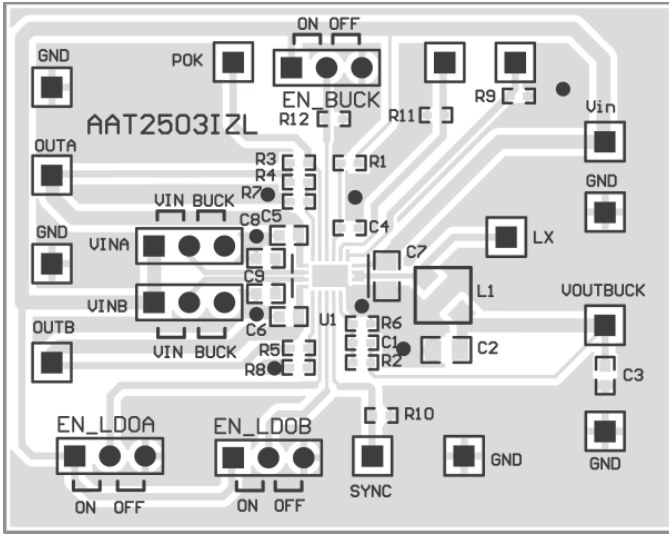
The suggested PCB layout for the AAT2503 is shown in Figures 2 and 3. The following guidelines should be used to help ensure a proper layout.

1. The input capacitors (C4, C7, C8, and C9) should connect as closely as possible to  $V_{IN}$  and  $PGND$ .
2. The output capacitor (C5, and C6) of the LDOs connect as closely as possible to  $OUT$ . C2 and L1 should be connected as closely as possible. The connection of L1 to the LX pin should be as short as possible. Do not make the node small by using a narrow trace. The trace should be kept wide, direct, and short.
3. The feedback trace should be separate from any power trace and connect as closely as possible to the load point. Sensing along a high-current load trace will degrade DC load regulation. Feedback resistors should be placed as closely as possible to  $V_{OUT}$  to minimize the length of the high impedance feedback trace. If possible, they should also be placed away from the LX (switching node) and inductor to improve noise immunity.
4. The resistance of the trace from the load return to the  $PGND$  should be kept to a minimum. This will help to minimize any error in DC regulation due to differences in the potential of the internal signal ground and the power ground.
5. Ensure all ground pins are tied to the ground plane. No pins should be left floating. For maximum power dissipation, it is recommended that the exposed pad must be soldered to a good conductive PCB ground plane layer to further increase local heat dissipation.

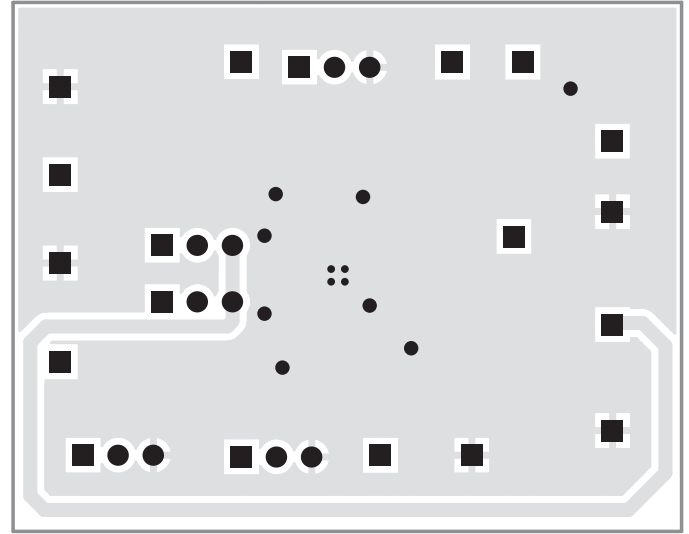
# DATA SHEET

# AAT2503

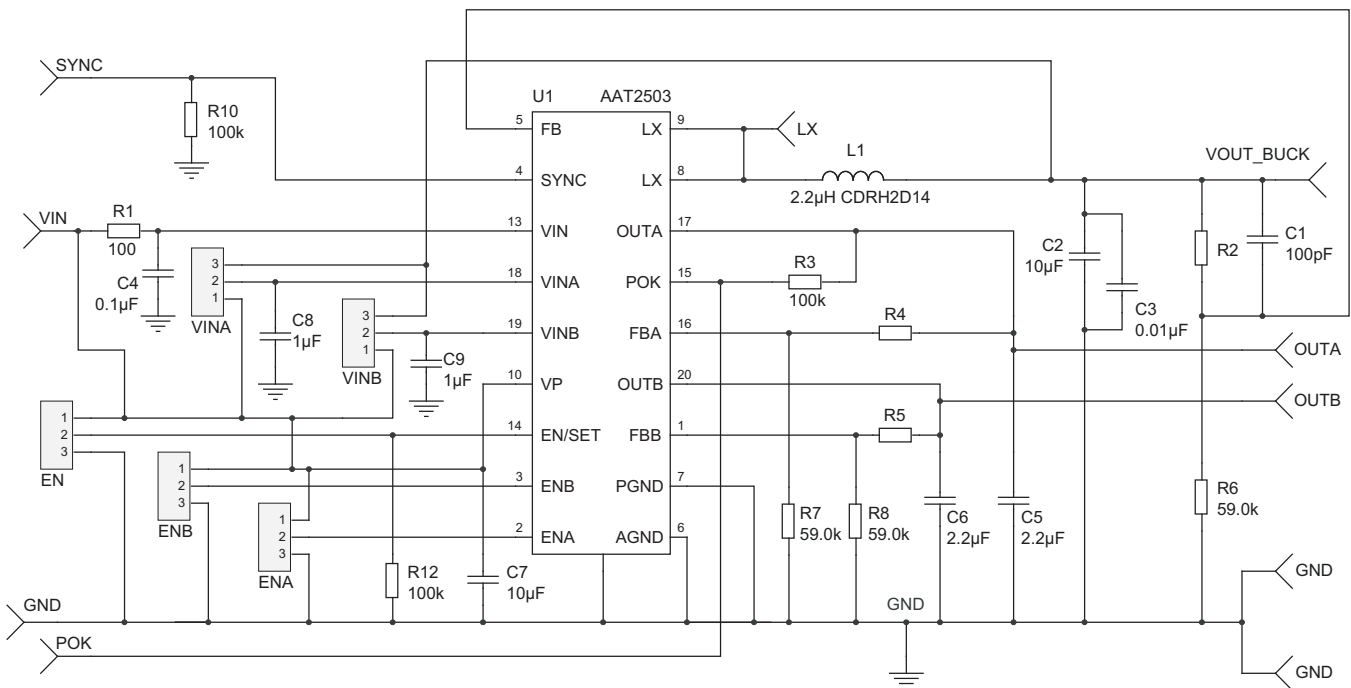
## Adjustable Three-Channel Regulator



**Figure 1: AAT2503 Evaluation Board Component Side Layout.**



**Figure 2: AAT2503 Evaluation Board Solder Side Layout.**



C5, C6 2.2 $\mu$ F, 10V, X5R, 0603 GRM188R61A225KE34  
 C8, C9 1 $\mu$ F, 6.3V, X5R, 0603 GRM185R60J105KE26  
 C2, C7 10 $\mu$ F, 6.3V, X5R, 0805 GRM219R60J106KE19  
 L1 Sumida CDRH2D14 or Coltronics SD3814  
 U1 AAT2503 QFN34-20

**Figure 3: AAT2503 Evaluation Board Schematic.**

# DATA SHEET

# AAT2503

## Adjustable Three-Channel Regulator

| Manufacturer | Part Number       | Value ( $\mu\text{F}$ ) | Voltage Rating | Temp. Co. | Case Size |
|--------------|-------------------|-------------------------|----------------|-----------|-----------|
| Murata       | GRM219R60J106KE19 | 10                      | 6.3            | X5R       | 0805      |
| Murata       | GRM188R60J475KE19 | 4.7                     | 6.3            | X5R       | 0603      |
| Murata       | GRM188R61A225KE34 | 2.2                     | 10             | X5R       | 0603      |
| Murata       | GRM188R61A105KA61 | 1.0                     | 10             | X5R       | 0603      |
| Murata       | GRM185R60J105KE26 | 1.0                     | 6.3            | X5R       | 0603      |

**Table 4: Surface Mount Capacitors.**

| Manufacturer | Part Number  | Inductance ( $\mu\text{H}$ ) | Saturated Rated Current (mA) | DCR ( $\text{m}\Omega$ ) | Size (mm) LxWxH | Type     |
|--------------|--------------|------------------------------|------------------------------|--------------------------|-----------------|----------|
| Sumida       | CDRH2D14-1R5 | 1.5                          | 1800                         | 63                       | 3.2x3.2x1.55    | Shielded |
| Sumida       | CDRH2D14-2R2 | 2.2                          | 1500                         | 94                       | 3.2x3.2x1.55    | Shielded |
| Sumida       | CDRH2D14-3R3 | 3.3                          | 1200                         | 125                      | 3.2x3.2x1.55    | Shielded |
| Coiltronics  | SD3812-1R5   | 1.5                          | 1580                         | 78                       | 4.0x4.0x1.2     | Shielded |
| Coiltronics  | SD3812-2R2   | 2.2                          | 1320                         | 111                      | 4.0x4.0x1.2     | Shielded |
| Coiltronics  | SD3812-3R3   | 3.3                          | 1100                         | 159                      | 4.0x4.0x1.2     | Shielded |
| Taiyo Yuden  | NR3010-1R5   | 1.5                          | 1200                         | 80                       | 3.0x3.0x1.0     | Shielded |
| Taiyo Yuden  | NR3010-2R2   | 2.2                          | 1100                         | 95                       | 3.0x3.0x1.0     | Shielded |
| Taiyo Yuden  | NR3010-3R3   | 3.3                          | 870                          | 140                      | 3.0x3.0x1.0     | Shielded |

**Table 5: Suggested Inductors and Suppliers.**

*Adjustable Three-Channel Regulator*

**Ordering Information**

| Package  | Voltage   |           |           | Marking <sup>1</sup> | Part Number (Tape and Reel) <sup>2</sup> |
|----------|-----------|-----------|-----------|----------------------|------------------------------------------|
|          | Channel 1 | Channel 2 | Channel 3 |                      |                                          |
| QFN34-20 | 0.9V      | 0.6V      | 0.6V      | TPXY                 | <b>AAT2503IZL-BAA-T1</b>                 |



Skyworks Green™ products are compliant with all applicable legislation and are halogen-free.



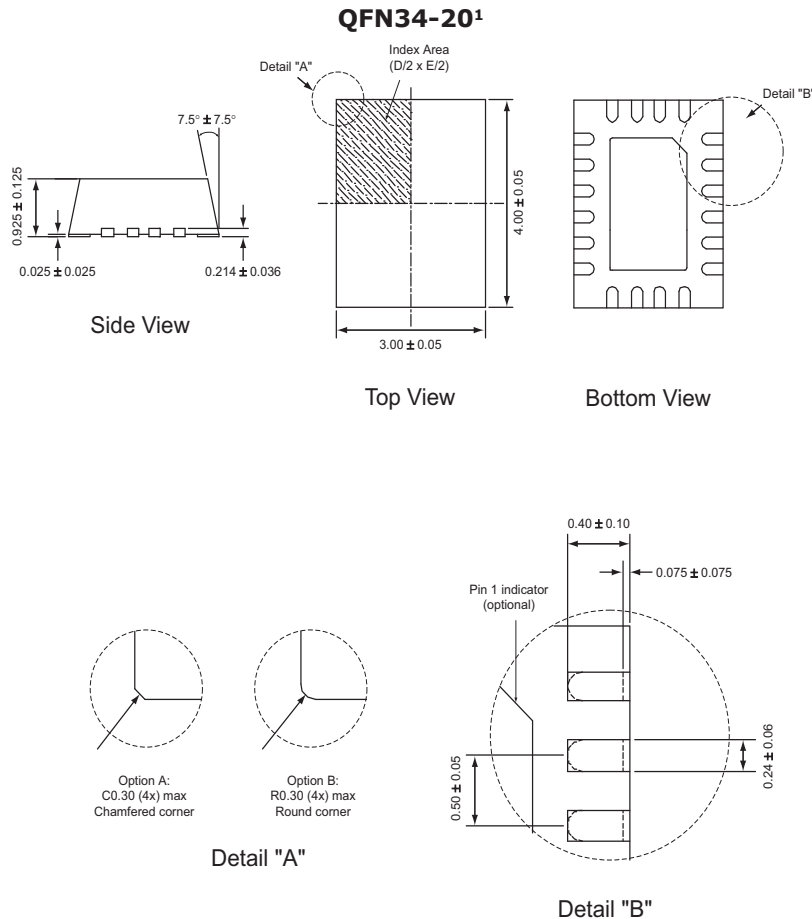
For additional information, refer to *Skyworks Definition of Green™*, document number SQ04-0074.

| Legend            |      |
|-------------------|------|
| Voltage           | Code |
| Adjustable (0.6V) | A    |
| 0.9               | B    |
| 1.2               | E    |
| 1.5               | G    |
| 1.8               | I    |
| 1.9               | Y    |
| 2.5               | N    |
| 2.6               | O    |
| 2.7               | P    |
| 2.8               | Q    |
| 2.85              | R    |
| 2.9               | S    |
| 3.0               | T    |
| 3.3               | W    |
| 4.2               | C    |

1. XYY = assembly and date code.  
 2. Sample stock is generally held on part numbers listed in **BOLD**.

## Adjustable Three-Channel Regulator

### Package Information



All dimensions in millimeters.

- The leadless package family, which includes QFN, TQFN, DFN, TDFN and STDFN, has exposed copper (unplated) at the end of the lead terminals due to the manufacturing process. A solder fillet at the exposed copper edge cannot be guaranteed and is not required to ensure a proper bottom solder connection.

Copyright © 2012, 2013 Skyworks Solutions, Inc. All Rights Reserved.

Information in this document is provided in connection with Skyworks Solutions, Inc. ("Skyworks") products or services. These materials, including the information contained herein, are provided by Skyworks as a service to its customers and may be used for informational purposes only by the customer. Skyworks assumes no responsibility for errors or omissions in these materials or the information contained herein. Skyworks may change its documentation, products, services, specifications or product descriptions at any time, without notice. Skyworks makes no commitment to update the materials or information and shall have no responsibility whatsoever for conflicts, incompatibilities, or other difficulties arising from any future changes.

No license, whether express, implied, by estoppel or otherwise, is granted to any intellectual property rights by this document. Skyworks assumes no liability for any materials, products or information provided hereunder, including the sale, distribution, reproduction or use of Skyworks products, information or materials, except as may be provided in Skyworks Terms and Conditions of Sale.

THE MATERIALS, PRODUCTS AND INFORMATION ARE PROVIDED "AS IS" WITHOUT WARRANTY OF ANY KIND, WHETHER EXPRESS, IMPLIED, STATUTORY, OR OTHERWISE, INCLUDING FITNESS FOR A PARTICULAR PURPOSE OR USE, MERCHANTABILITY, PERFORMANCE, QUALITY OR NON-INFRINGEMENT OF ANY INTELLECTUAL PROPERTY RIGHT; ALL SUCH WARRANTIES ARE HEREBY EXPRESSLY DISCLAIMED. SKYWORKS DOES NOT WARRANT THE ACCURACY OR COMPLETENESS OF THE INFORMATION, TEXT, GRAPHICS OR OTHER ITEMS CONTAINED WITHIN THESE MATERIALS. SKYWORKS SHALL NOT BE LIABLE FOR ANY DAMAGES, INCLUDING BUT NOT LIMITED TO ANY SPECIAL, INDIRECT, INCIDENTAL, STATUTORY, OR CONSEQUENTIAL DAMAGES, INCLUDING WITHOUT LIMITATION, LOST REVENUES OR LOST PROFITS THAT MAY RESULT FROM THE USE OF THE MATERIALS OR INFORMATION, WHETHER OR NOT THE RECIPIENT OF MATERIALS HAS BEEN ADVISED OF THE POSSIBILITY OF SUCH DAMAGE.

Skyworks products are not intended for use in medical, lifesaving or life-sustaining applications, or other equipment in which the failure of the Skyworks products could lead to personal injury, death, physical or environmental damage. Skyworks customers using or selling Skyworks products for use in such applications do so at their own risk and agree to fully indemnify Skyworks for any damages resulting from such improper use or sale.

Customers are responsible for their products and applications using Skyworks products, which may deviate from published specifications as a result of design defects, errors, or operation of products outside of published parameters or design specifications. Customers should include design and operating safeguards to minimize these and other risks. Skyworks assumes no liability for applications assistance, customer product design, or damage to any equipment resulting from the use of Skyworks products outside of stated published specifications or parameters.

Skyworks, the Skyworks symbol, and "Breakthrough Simplicity" are trademarks or registered trademarks of Skyworks Solutions, Inc., in the United States and other countries. Third-party brands and names are for identification purposes only, and are the property of their respective owners. Additional information, including relevant terms and conditions, posted at [www.skyworksinc.com](http://www.skyworksinc.com), are incorporated by reference.